

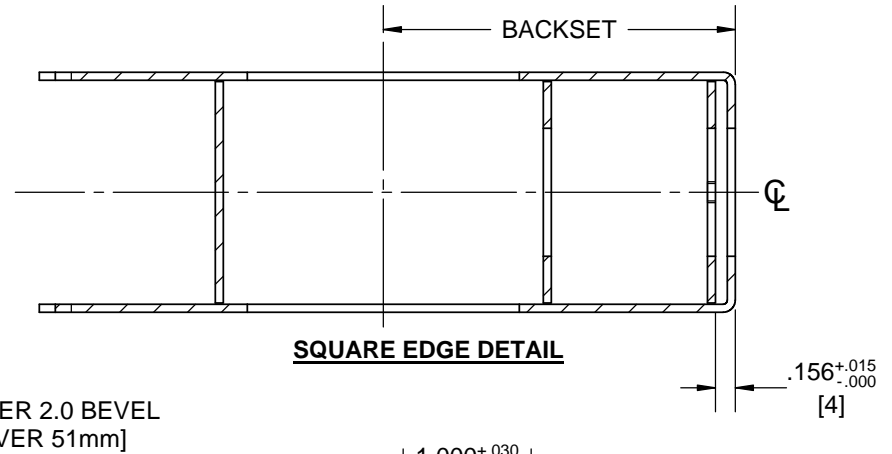
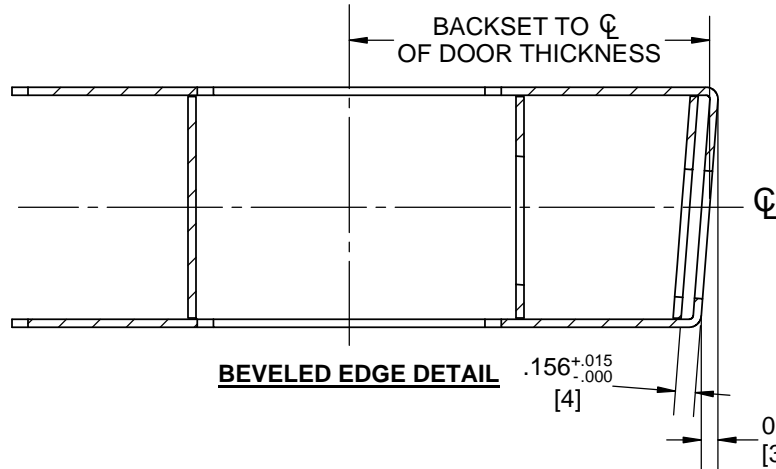
- NOTES:**
1. DRAWING IS NOT TO SCALE.
  2. DIMENSIONS ARE IN INCHES/[MM].

WOOD DOORS FOR:  
 CK800 - BALL KNOB  
 FACE PLATE 1" FLAT OR BEVELED

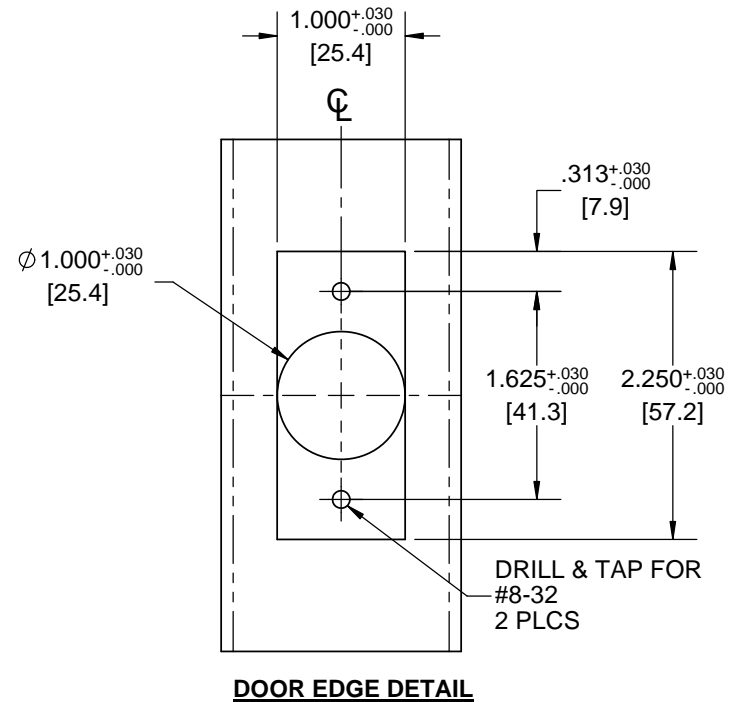
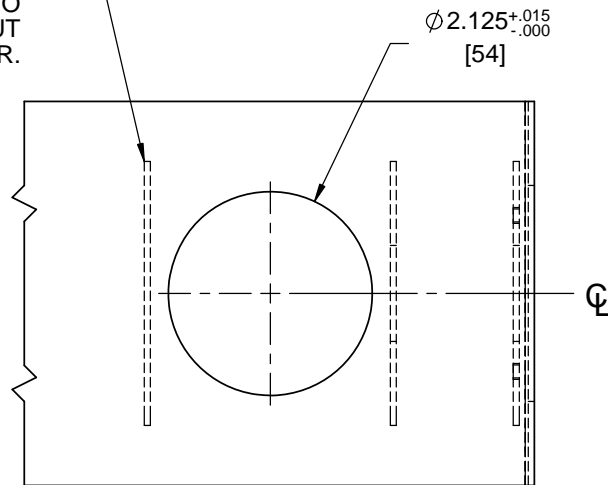
DORMA USA, Inc.  
 Reamstown, PA 17567

Toll-Free: (800) 523-8483  
 Facsimile: (800) 274-9724

Always consult DORMA's web site for latest  
 template at [www.dorma.com](http://www.dorma.com).



NOTE: LATCH CASE AND LOCK CHASSIS SUPPORTS MUST BE DESIGNED TO PROVIDE ADEQUATE STRENGTH TO SUPPORT THE LOCK WITHOUT CRUSHING THE DOOR.



**NOTES:**

1. DRAWING IS NOT TO SCALE.
2. DIMENSIONS ARE IN INCHES/[MM].

METAL DOORS FOR:  
CK800 - BALL KNOB  
FACE PLATE 1" FLAT OR BEVELED

DORMA USA, Inc.  
Reamstown, PA 17567

Toll-Free: (800) 523-8483  
Facsimile: (800) 274-9724

Always consult DORMA's web site for latest template at [www.dorma.com](http://www.dorma.com).